

**AMCO, GMCO - Automatic Mains and Generator Changeover Controllers – Sales Information.**

Data Centres & IT – “Tier 2”.  
Banks & Commerce.  
Call Centres and Internet.

Broadcast and TV,  
Telecomms, Network Control,  
Security.



Hospitals and Medical Facilities,  
Laboratories and Research,  
Critical Process.  
Utility Outstations.

**The case for AMCO and GMCO controllers....**

The AMCO and GMCO models are Weirgrove’s compact and economical entry level controllers designed for integration into switchboards or as stand-alone control panels. They are based on rugged industrial automation components from Siemens and are programmed to control up to three state stable power switching devices that may be ACBs, MCCBs or even latching contactors. These controllers are out of the same stable as Weirgrove’s larger APMS and ENMS models and are programmed with comprehensive diagnostics, fault recovery routines and alarm and event logging which puts them in a different league to hardwired systems or relay replacement modules.

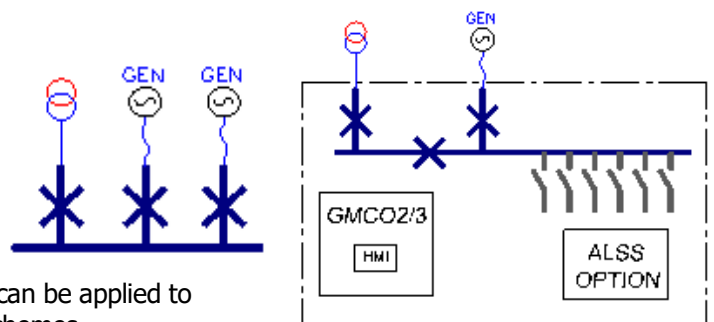
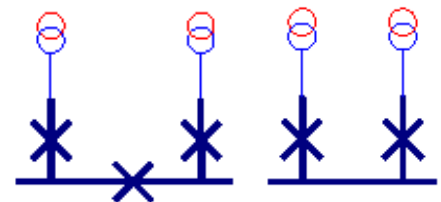
**AMCO Applications.**

The Automatic Mains Changeover (AMCO) controller is ideally suited for reliable and resilient control of multiple mains incomer and bus section switchboards. Typical installations are configured with hardwired interlocking for “break mode” control, but Short Term Parallel (STP) variants are possible. Transformer duty can be selected to dual or “flip-flop” operation, i.e. bus section normally opened or closed.

**GMCO Applications.**

The Generator Mains Changeover (GMCO) variant is ideally suited to automatic mains failure recovery systems with redundant generators or bus sections dividing essential and non-essential loads. The control of the breakers is devolved from the generators so they can be accessed for maintenance without risk to the mains supply.

A compatible Automatic Load Shedding (ALSS) module can be applied to either system for automation of simple load shedding schemes.



**AMCO, GMCO - Automatic Mains and Generator Changeover Controllers – Sales Information.**

**Description.**

The **AMCO** and **GMCO** controllers are from the **Weirgrove** family of “off the peg” standard switchgear automation solutions which has been developed with knowledge from over twenty years experience in this field.

**Features.**

Weirgrove controllers include many standard features designed to enhance reliability and reduce risk by making the systems easier to operate.

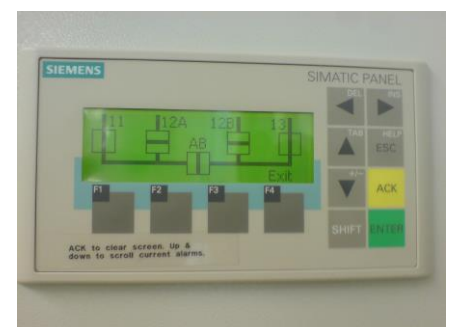
- Reliable, maintenance free automation using PLCs and operator displays with no moving parts or batteries.
- Alarms and events displayed at local HMIs with timestamps for accurate diagnostics.
- Simple and reliable hardwired interlocking systems to prevent unsafe switching, in auto or manual.
- Totally hardwired manual control options with hinged, lockable security window.
- Hardwired test facilities for offload and onload testing.
- Duplexed power supplies from batteries giving “black start” capability.
- Pulse on – pulse off state stable control and “bumpless transfer” between operating modes to reduce unwanted switching.
- Robust programming techniques using complementary Boolean logic for better diagnostics and state stable control under fault and transient conditions.
- Fast booting times and rapid synchronising to existing power conditions without unwanted switching.
- Multiple volt sensors checking with programmable stability timers and ride-through of “brown-out” conditions for extra stability.
- “Failover” control between duty and standby transformers or generators.



**Options.**

The controllers are typically limited to control of three switching devices, but multiple controllers can be networked.

- Automatic Load Shedding System (ALSS) options, for control of motorised feeders under limited power budgets.
- Remote offloading feature for use in centralised generator schemes.
- Enhanced hardwired mimic, with animated tri-colour LEDs.
- Larger touchscreen HMIs with enhanced status screens and diagnostics logged in non-volatile memory.
- Additional monitoring for remote generator switchboards and load feeder breakers.
- Optional gateway modules for GSM text messaging, Modbus or TCP/IP communications interface to BMS or SCADA.
- Peer to peer communications links to other Weirgrove controllers in site-wide installations.
- Dedicated simulation panels for onsite validation and operator training.



*Weirgrove Power Management Systems*

Unit 1, The Oakwood Centre, Downley Road, Havant, HANTS. PO9 2NP

Tel: 08451 369319 Fax: 02083 620211

[sales@weirgrove.co.uk](mailto:sales@weirgrove.co.uk)

*Weirgrove Power Management Systems is an Underwoods Group Company.*